

KPS heavy-duty pressure switches

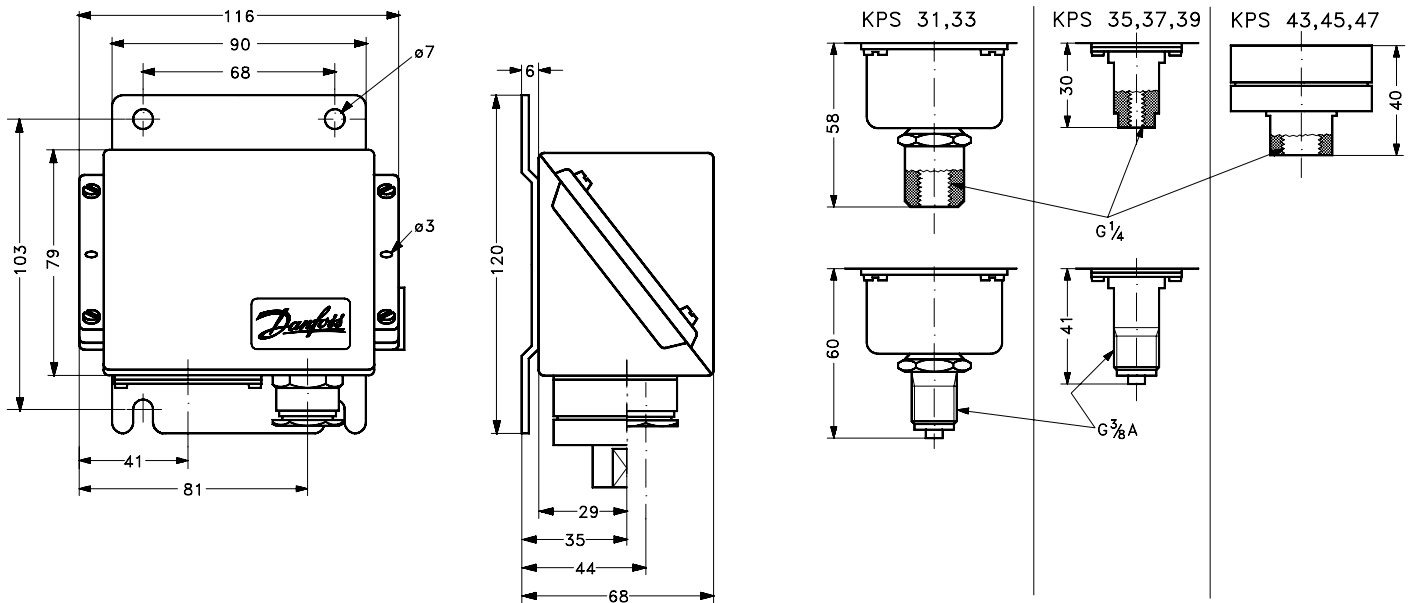


In the KPS series, special attention has been given to meeting important demands for a high level of enclosure, a robust, compact construction and resistance to shock and vibration. The KPS range covers most outdoor as well as indoor application requirements, and are suitable for use in alarm and regulation systems in factories, diesel plant, compressors, powerstation and on board ships.

- Pressure range: 0 – 60 bar
- Gold plated contact systems
- Adjustable or fixed differential
- Robust and compact construction
- Resistance to shock and vibrations
- Diaphragm version for applications with: Pulsations/pressure peaks
- Also sea water as media
- Enclosure IP67. Sturdy and sea water resistant.
- Available with all relevant marine approvals

Dimensions and weight:

Weight:
 KPS 31 – 39: 1.0 kg
 KPS 43 – 47: 1.3 kg



Dimensions in millimetres

Approvals: CE marked in accordance with EN60947-4/-5. UL E73170. All relevant marine approvals

KPS heavy-duty pressure switches

Contact type: Single pole double throw (SPDT)
Contact material: Gold plated silver
Loads: AC-1 (ohmic) 10A 440V
 AC-3 (motor) 6A 440V
 AC-15 (inductive) 4A 440V
Enclosure: IP67



Type	Setting range	Differential	Max. working pressure	Connection size		Code number
	P_e [bar]	[bar]	P_e [bar]	G ¼ A	G ¾ A	

Controls for low and medium pressure. Ambient temperature: -40 – 70 °C. Media temperature: -40 – 100 °C.

KPS31	0 – 2.5	0.1	6		✓	060-310966
KPS31	0 – 2.5	0.1	6	✓		060-311066
KPS33	0 – 3.5	0.2	10		✓	060-310366
KPS33	0 – 3.5	0.2	10	✓		060-310466
KPS35	0 – 8	0.4 – 1.5	12		✓	060-310066
KPS35	0 – 8	0.4 – 1.5	12	✓		060-310566
KPS35	0 – 8	0.4	12	✓		060-310866
KPS37	6 – 18	0.85 – 2.5	22		✓	060-310166
KPS37	6 – 18	0.85 – 2.5	22	✓		060-310666
KPS39	10 – 35	2 – 6	45		✓	060-310266
KPS39	10 – 35	2 – 6	45	✓		060-310766

Controls for high pressure and strongly pulsating media. Ambient temperature: -25 – 70 °C. Media temperature: -25 – 100 °C.

KPS43	1 – 10	0.7 – 2.8	120	✓		060-312066
KPS45	4 – 40	2.2 – 11	120	✓		060-312166
KPS47	6 – 60	3.5 – 17	120	✓		060-312266

Spareparts for KPS



Description	Code numbers
Reducer. G ¾ x 7/16 - 20 UNF (¼ flare) reduction with washer	017-420566
Adaptor G ¾ A x ¼ - 18 NPT with washer	060-333666
Nipple G ¼ A x G ¾ A	060-333266
Damping coil with ¼ flare connectors and 1 m copper capillary tube. Damping coils used for applications with ¾ RG connector requires the use of reducer.	060-017166
Damping coil with G ¾ connectors and 1.5 m copper capillary tube	060-104766
Armoured damping coil with ¾ connectors and 1 m armoured capillary tube. Standard washers included.	060-333366

