

KPI pressure switches for light industry

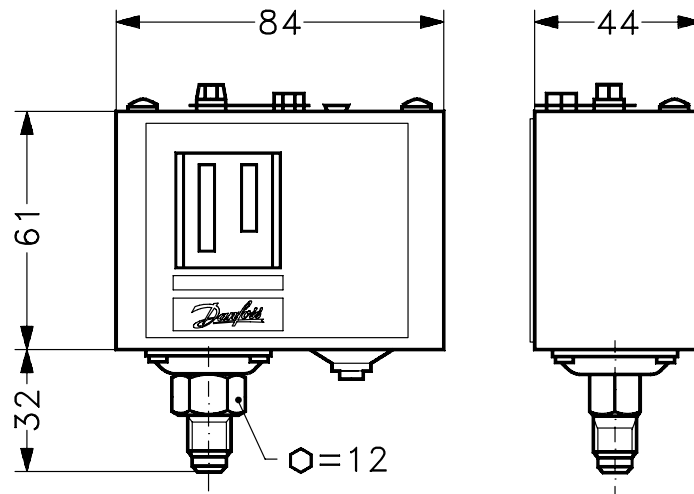


Danfoss KPI pressure switches are used for control, monitoring and alarm systems in industrial applications. The KPI series are suitable for plant in connection with liquid and gaseous media. They are fitted with a single-pole switch changeover (SPDT).

- Pressure range: -0.2 – 28 bar
- High contact load
- Ultra short bounce-time
- Available with gold plated contact systems
- Adjustable differential
- Scale for setting of range and differential
- Enclosure IP44 when mounted with top cover and back plate
- Snap action contact system with omega spring
- Versions for drinking water

Dimensions and weight:

Weight: 0.3 kg



All dimensions in millimetres

Approvals: CE marked in accordance with EN60947-4/-5. Electrical safety certificate - FM. UL E31024.

KPI pressure switches for light industry

Contact function: Single pole double throw (SPDT)
Contact material: Silver cadmium oxide
Loads: AC-1 ohmic 10A 440V
 AC-3 (motor) 6A 440V
 AC-15 (inductive) 4A 440V
Reset: Automatic
Pressure connection: G ¼ A
Ambient temperature: -40 – 65 °C
Media temperature: -40 – 100 °C



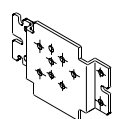
Type	Setting range P _e [bar]	Differential P _e [bar]	Max. working pressure P _e [bar]	Enclo- sure	Code number
KPI 35	-0.2 – 8	0.4 – 1.5	18	IP30	060-121766
KPI 35 ¹⁾	-0.2 – 8	0.4 – 1.5	18	IP30	060-316466
KPI 35	-0.2 – 8	0.5 – 2	18	IP30	060-121966
KPI 36	2 – 12	0.5 – 1.6	18	IP30	060-316966
KPI 36 ¹⁾	4 – 12	0.5 – 1.6	18	IP30	060-113866
KPI 36	2 – 12	0.5 – 1.6	18	IP55	060-319466
KPI 36	4 – 12	0.5 – 1.6	18	IP30	060-118966
KPI 38	8 – 28	1.8 – 6	30	IP30	060-508166

¹⁾ Contact material: Gold plated silver

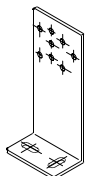
Spareparts and accessories for KPI pressure switch

Type	Description	Code numbers
Wall bracket	Mounting screw and washers included	060-105566
Angle bracket	Mounting screw and washers included	060-105666
Seal screw for locking plate	Seal screw according to DIN 405, for locking of setting point	060-105766
Screwed cable entry	Pg 13.5 with special nut. For 6 – 14 mm diameter cables	060-105966
Top cover	For single control. If a wall or angle bracket is mounted on the backplate of the housing, the KP will have an IP44 grade of enclosure by means of this cover	060-109766
IP55 enclosure	For single control. Specially designed IP55 enclosure, not transparent	060-033066

Brackets



For wall mounting



For 35 mm rail mounting



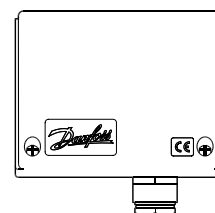
Seal screw



Screwed cable entry



Top cover



IP55 enclosure

