

## KP pressure switches for light industry



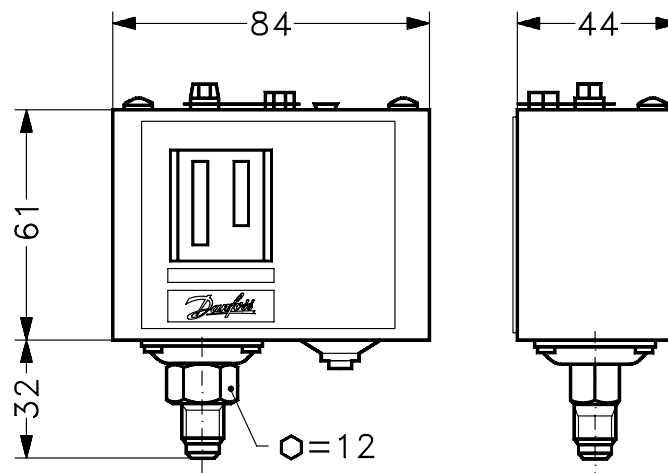
Danfoss KP pressure switches are used for control, monitoring and alarm systems in industrial applications.

The KP series are suitable for gaseous media and air. They are fitted with a single-pole switch changeover (SPDT), and can control single-phase ac motors of up to 2 kW directly.

- Pressure range: -0.2 – 21 bar
- High contact load - Ultra short bounce-time
- Also available with gold plated contact systems
- Media: Gaseous media and air
- Enclosure IP44 when mounted with top cover and back plate
- Small dimensions - space saving - easy to install

### Dimensions and weight:

Weight: 0.34 kg



KP 35 and KP 36

All dimensions in millimetres

Approvals: CE marked in accordance with EN60947-4/-5. Electrical Safety Certificate - FM. UL E31024.

## KP pressure switches for light industry

Contact system:	Single pole double throw (SPDT)
Contact material:	Silver cadmium oxide
Loads:	AC-1 ohmic 16A 400V AC-3 (motor) 16A 400V AC-15 (inductive) 10A 400V
Reset function:	Automatic
Ambient temperature:	-40 – 65 °C
Media temperature:	-40 – 100 °C



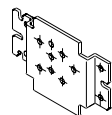
Type	Setting range $P_e$ [bar]	Differential $P_e$ [bar]	Max. working pressure $P_e$ [bar]	Enclosure	Code number
<b>Pressure connection: G 1/4 A</b>					
KP2	-0.2 – 3.5	0.3 – 1.0	10	IP30	<b>060-131866</b>
KP35	-0.2 – 7.5	0.7 – 4	17	IP30	<b>060-113366</b>
KP35	-0.2 – 7.5	0.7 – 4	17	IP55	<b>060-538666</b>
KP35 <sup>1)</sup>	-0.2 – 7.5	0.7 – 4	17	IP30	<b>060-504766</b>
KP36 <sup>1)</sup>	2 – 14	0.7 – 4	17	IP30	<b>060-113766</b>
KP36	2 – 14	0.7 – 4	17	IP30	<b>060-110866</b>
KP36	2 – 14	0.7 – 4	17	IP55	<b>060-538766</b>
KP36 <sup>1)</sup>	4 – 12	0.5 – 1.6	17	IP30	<b>060-114466</b>
KP36	4 – 12	0.5 – 1.6	17	IP30	<b>060-122166</b>

<sup>1)</sup> Contact material: Gold plated silver

## Spareparts and accessories for KP pressure switch

Type	Description	Code number
Wall bracket	Mounting screw and washers included	<b>060-105566</b>
Angle bracket	Mounting screw and washers included	<b>060-105666</b>
Seal screw for locking plate	Seal screw according to DIN 405, for locking of setting point	<b>060-105766</b>
Screwed cable entry	Pg 13.5 with special nut. For 6 – 14 mm diameter cables	<b>060-105966</b>
Top cover	For single control. If a wall or angle bracket is mounted on the backplate of the housing, the KP will have an IP44 grade of enclosure by means of this cover	<b>060-109766</b>
IP55 enclosure	For single control. Specially designed IP55 enclosure, not transparent	<b>060-033066</b>

Brackets



For wall mounting



For 35 mm rail mounting



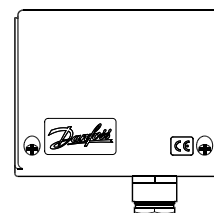
Seal screw



Screwed cable entry



Top cover



IP55 enclosure

